

TYPICAL SECTION A-A

- CHANNELIZING DEVICE
- EXISTING EDGE STRIPE
- EXISTING LANE STRIPE

CHANNELIZING DEVICE SPACING (FEET)		
MPH	TAPER	TANGENT
50/70	40	80
35/45	30	60
25/30	20	40

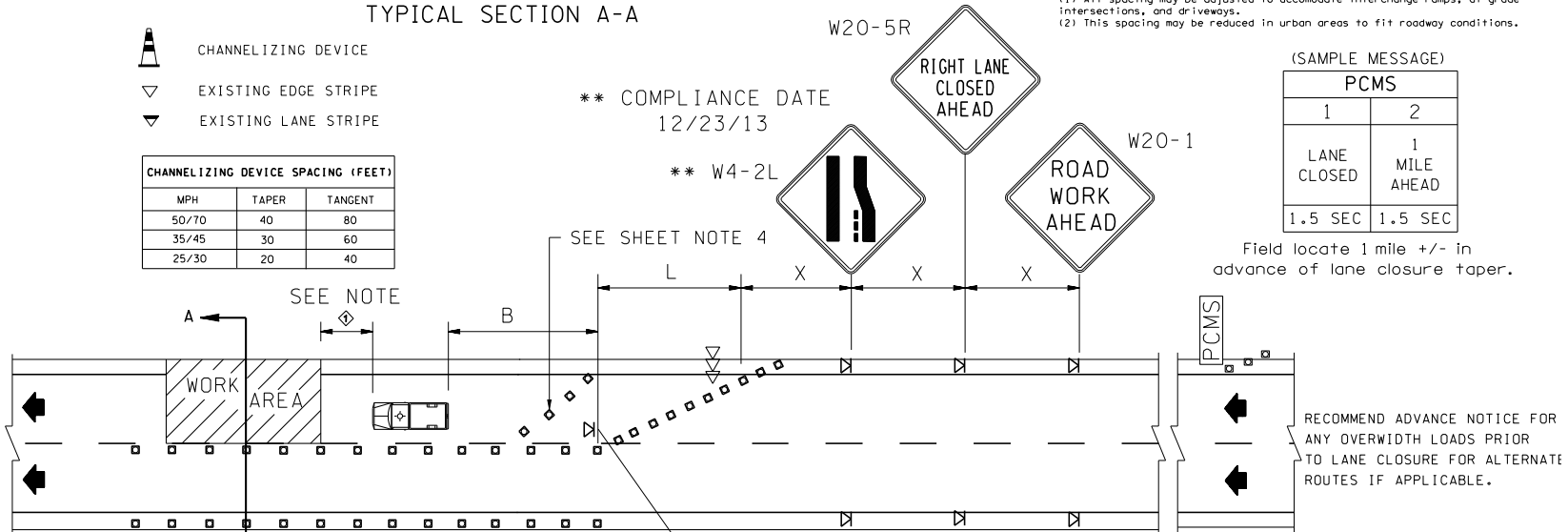
SIGN SPACING = X (feet) (1)		
Freeways & Expressways	55/70 MPH	1500'+- (OR AS PER MUTCD)
Rural Highways	60/65 MPH	800'+-
Rural Roads	45/55 MPH	500'+-
Rural Roads & Urban Arterials	35/40 MPH	350'+-
Rural Roads, Urban Arterials Residential & Business Districts	25/30 MPH	200'+- (2)
Urban Streets	25 MPH or LESS	100'+- (2)

(1) All spacing may be adjusted to accommodate interchange ramps, at-grade intersections, and driveways.
(2) This spacing may be reduced in urban areas to fit roadway conditions.

** COMPLIANCE DATE
12/23/13

** W4-2L

SEE SHEET NOTE 4



(SAMPLE MESSAGE)

PCMS	
1	2
LANE CLOSED	1 MILE AHEAD
1.5 SEC	1.5 SEC

Field locate 1 mile +/- in advance of lane closure taper.

RECOMMEND ADVANCE NOTICE FOR ANY OVERWIDTH LOADS PRIOR TO LANE CLOSURE FOR ALTERNATE ROUTES IF APPLICABLE.

NOTES

1. PROTECTIVE VEHICLE RECOMMENDED-MAY BE A WORK VEHICLE.
2. CONTACT REGION TRAFFIC OFFICE FOR WORK HOUR RESTRICTIONS.
3. RECOMMEND EXTENDING DEVICE TAPER ACROSS SHOULDER. (L/3 TAPER)
4. USE TRANSVERSE DEVICES IN CLOSED LANE EVERY 1000'+- (RECOMMENDED).
5. TRAFFIC SAFETY DRUMS RECOMMENDED FOR ALL TAPERS ON HIGH SPEED ROADWAYS. (SEE DEVICE MATRIX APPENDIX 2-2)
6. PCMS RECOMMENDED.

LEGEND

- WARNING BEACON - REQUIRED
- SIGN LOCATION
- ARROW PANEL
- CHANNELIZING DEVICES
- PROTECTIVE VEHICLE - RECOMMENDED
- PORTABLE CHANGEABLE MESSAGE SIGN

BUFFER DATA

LONGITUDINAL BUFFER SPACE = B											
SPEED (MPH)	25	30	35	40	45	50	55	60	65	70	
LENGTH (feet)	155	200	250	305	360	425	495	570	645	730	

PROTECTIVE VEHICLE WITH TMA ROLL AHEAD DISTANCE		
TYPICAL PROTECTIVE VEHICLE TYPE WITH TMA	TYPICAL PROTECTIVE VEHICLE (WITH TMA) LOADED WEIGHT (LBS)	STATIONARY OPERATION (feet)
4 YARD DUMP TRUCK, SERVICE TRUCK, FLAT BED, ETC.	MINIMUM WEIGHT 15,000 LBS. (MAXIMUM WEIGHT SHALL BE IN ACCORDANCE WITH MANUFACTURER RECOMMENDATION)	30 MIN. 100 MAX.

ROLL AHEAD STOPPING DISTANCE ASSUMES DRY PAVEMENT
 ⬠ A PROTECTIVE VEHICLE IS RECOMMENDED REGARDLESS IF A TMA IS AVAILABLE. IF NO TMA IS USED, THE PROTECTIVE VEHICLE SHALL BE STRATEGICALLY LOCATED IN THE FIELD TO SHIELD WORKERS AND NO ROLL AHEAD DISTANCE IS SPECIFIED. REFER TO CHAPTER 1.5.5 FOR ADDITIONAL INFORMATION

MINIMUM TAPER LENGTH = L (feet)

LANE WIDTH (feet)	Posted Speed (mph)									
	25	30	35	40	45	50	55	60	65	70
10	105	150	205	270	450	500	550	-	-	-
11	115	165	225	295	495	550	605	660	-	-
12	125	180	245	320	540	600	660	720	780	840

TYPICAL LANE CLOSURE WITH SHIFT TCD 3